

# STEEL STAGE ASSEMBLY



## CONTENTS

PARTS LIST	2
STAGE CALCULATION CHART	
SITE PREP	4
LEG / DECK HEIGHT	4
LEG ASSEMBLY	5
STAGE SETUP	6-7
BRACES	8
BRACING EXAMPLE LAYOUTS	8-9
ROTO-LOCKS	9
GUARDRAIL PANEL W/ BUILT IN SOCKETS	10
GUARDRAIL PANEL W/ DETACHED SOCKETS	12
STEP RISER	13
STEP RISER GUARDRAIL	14
STAIR ASSEMBLY	15-16

## TOOLS NEEDED

- 5/16" T Handle Wrench (85039)

## Staging Warranty

Bleacher and staging components excluding any finishes and wood decking are warranted for three (3) years from date of original purchase.

We will repair, without charge, any defect due to faulty material or workmanship. These warranties do not cover failures due to abuse, misuse, improper installation, accidental damage or when repairs or modifications have been made or attempted to be made by anyone other than Event Decor Direct. Any defective products that meet warranty specifications and Event Decor Direct approval, may be returned to the factory to be repaired or replaced free of charge. (Event Decor Direct will pay to ship replacement item(s) to the customer; however the customer is responsible for shipment of products to the factory.

This remedy is the sole remedy in contract, tort or otherwise, and Event Decor Direct is not liable for incidental, consequential or special damages.

These warranties give you specific legal rights, and you may have other rights which vary from state to state. Should you have any questions, contact Event Decor Direct (Proof of purchase may be required).



**85024**  
4' x 4' Painted Signature Stage



**85334**  
Steel Stage Guardrail



Leg Stock



**85410**  
Adjustable Stage Foot - Short Stem



**85236-05**  
Black Continuous Brace



**85270-02**  
Grey Starter Brace

# STAGE CALCULATION CHART

For the required number of decks and legs needed, find the length and width on the outside columns and record the quantities where they intersect.

	4'	8'	12'	16'	20'	24'	28'	32'	36'	40'	44'	48'
4'	D = 1 L = 4	D = 2 L = 4	D = 3 L = 4	D = 4 L = 4	D = 5 L = 4	D = 6 L = 4	D = 7 L = 4	D = 8 L = 4	D = 9 L = 4	D = 10 L = 4	D = 11 L = 4	D = 12 L = 4
8'	D = 2 L = 6	D = 4 L = 9	D = 6 L = 12	D = 8 L = 15	D = 10 L = 18	D = 12 L = 21	D = 14 L = 24	D = 16 L = 27	D = 18 L = 30	D = 20 L = 33	D = 22 L = 36	D = 24 L = 39
12'	D = 3 L = 8	D = 6 L = 12	D = 9 L = 16	D = 12 L = 20	D = 15 L = 24	D = 18 L = 28	D = 21 L = 32	D = 24 L = 36	D = 27 L = 40	D = 30 L = 44	D = 33 L = 48	D = 36 L = 52
16'	D = 4 L = 10	D = 8 L = 15	D = 12 L = 20	D = 16 L = 25	D = 20 L = 30	D = 24 L = 35	D = 28 L = 40	D = 32 L = 45	D = 36 L = 50	D = 40 L = 55	D = 44 L = 60	D = 48 L = 65
20'	D = 5 L = 12	D = 10 L = 18	D = 15 L = 24	D = 20 L = 30	D = 25 L = 36	D = 30 L = 42	D = 35 L = 48	D = 40 L = 54	D = 45 L = 60	D = 50 L = 66	D = 55 L = 72	D = 60 L = 78
24'	D = 6 L = 14	D = 12 L = 21	D = 18 L = 28	D = 24 L = 35	D = 30 L = 42	D = 36 L = 49	D = 42 L = 56	D = 48 L = 63	D = 54 L = 70	D = 60 L = 77	D = 66 L = 84	D = 72 L = 91
28'	D = 7 L = 16	D = 14 L = 24	D = 21 L = 32	D = 28 L = 40	D = 35 L = 48	D = 42 L = 56	D = 49 L = 64	D = 56 L = 72	D = 63 L = 80	D = 70 L = 88	D = 77 L = 96	D = 84 L = 104
32'	D = 8 L = 18	D = 16 L = 27	D = 24 L = 36	D = 32 L = 45	D = 40 L = 54	D = 49 L = 63	D = 56 L = 72	D = 64 L = 81	D = 72 L = 90	D = 80 L = 99	D = 88 L = 108	D = 96 L = 117
36'	D = 9 L = 20	D = 18 L = 30	D = 27 L = 40	D = 36 L = 50	D = 45 L = 60	D = 54 L = 70	D = 63 L = 80	D = 72 L = 90	D = 81 L = 100	D = 90 L = 110	D = 99 L = 120	D = 108 L = 130

### Recommended number of braces:

Double bracing is required for stages over 48" high.

### Stage Dimensions:

Length: \_\_\_\_\_ x Width: \_\_\_\_\_ x Height: \_\_\_\_\_

Decks Required: D = \_\_\_\_\_

Legs Required: L = \_\_\_\_\_

Feet (1 per leg): \_\_\_\_\_

Snap Pins (1 per leg)\*: \_\_\_\_\_

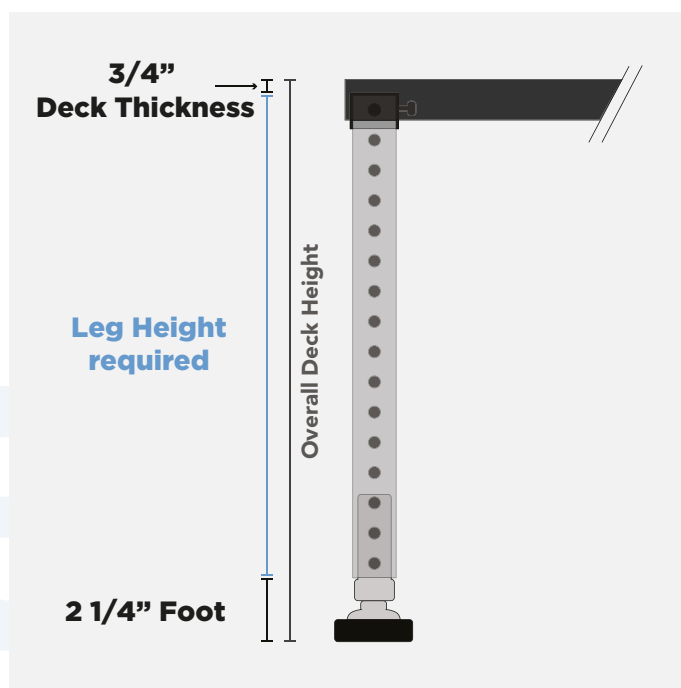
\*NOTE: 2 per leg when using telescoping legs

Stage Size	Starter Braces	Continuous Braces
8' x 8'	4	0
12' x 12'	5	3
12' x 16'	5	6
16' x 16'	5	12
16' x 20'	7	14
20' x 20'	8	15
20' x 24'	8	20
24' x 24'	7	24
28' x 28'	10	27
32' x 32'	10	40
32' x 36'	11	44
36' x 36'	12	48
36' x 40'	12	49
36' x 48'	13	64

## SITE PREP

Determine the exact location where the stage will be erected. Take note of any uneven or unlevel terrain. For outdoor stages, mudsills are required to distribute the weight of 125 psf on the stage legs. This will prevent the legs from sinking and ease the leveling of the stage. All base pads and mud sills should only be placed on horizontal surfaces.

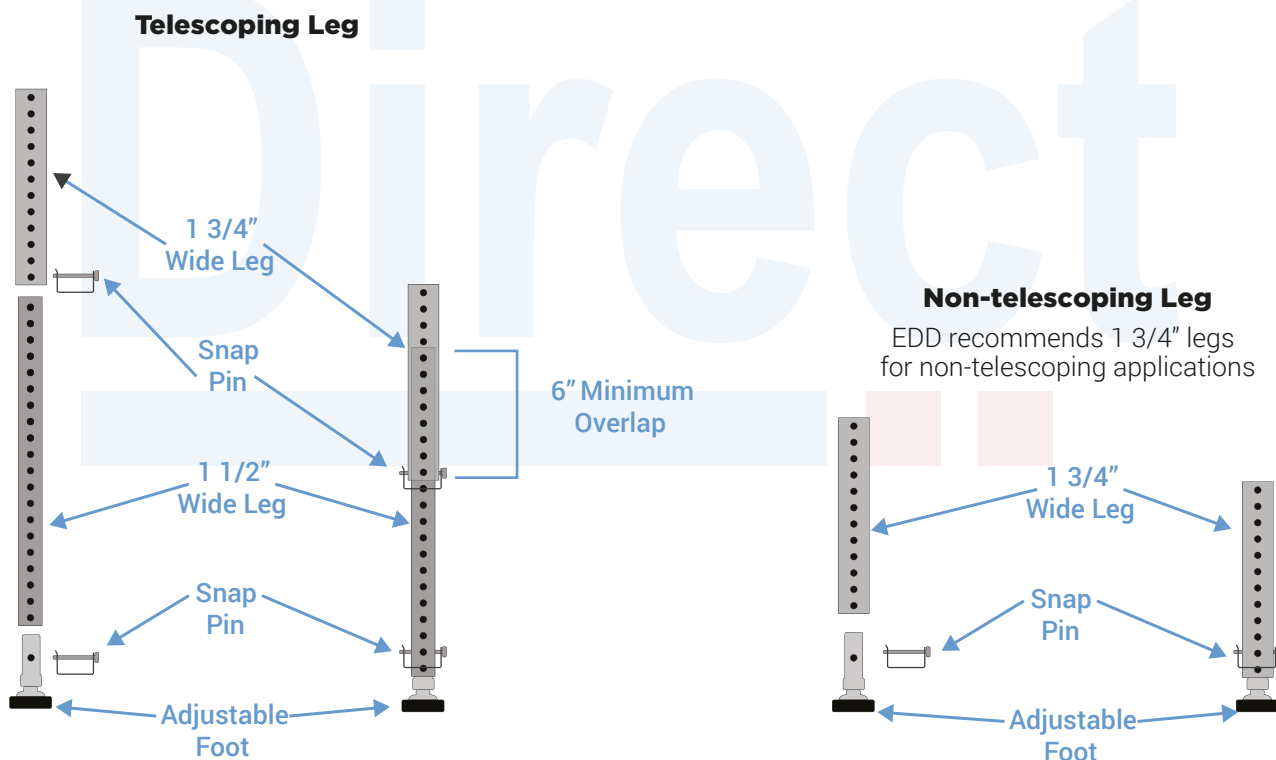
## LEG / DECK HEIGHT



Begin by determining your desired deck height. Then subtract 3" to account for the deck thickness and foot. This will give you the required leg height for your stage.

Legs are adjustable in 1" increments. Feet can be adjusted up to 2".

Assemble legs as shown below. Some stages require telescoping legs to reach their desired height. Note that the telescoping legs must have a minimum of 6" of overlap.

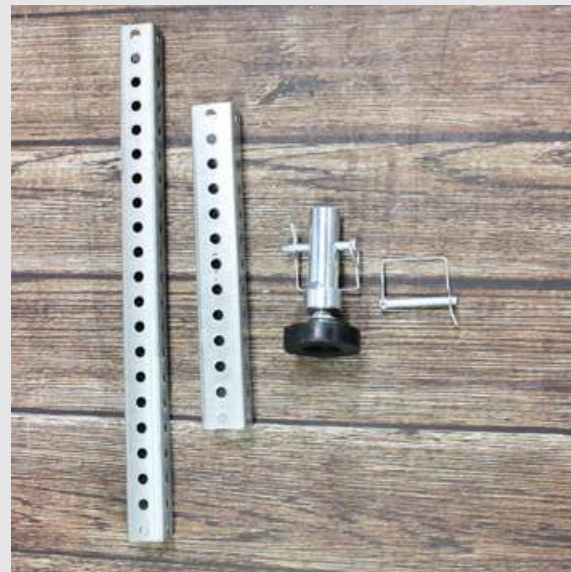


## LEG ASSEMBLY

Steel Staging uses an adjustable leg system, allowing you to customize your deck height.

Inside Leg – 1 1/2" Square  
 Starter Leg – 1 3/4" Square

The adjustable feet can add up to 2 inches of height to fine tune your deck or accommodate uneven terrain.

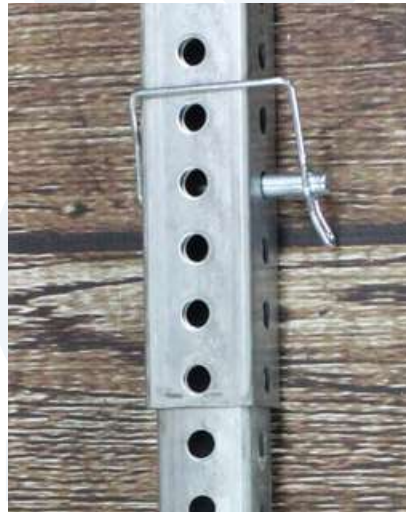


COMPONENTS		
ITEM NO	QTY	DESCRIPTION
--	--	Inside Leg - 1 1/2" Square
--	--	Starter Leg - 1 3/4" Square
85410	--	Adjustable Foot
06003	--	2" Snap Pin



Insert the foot into an inside leg (1 1/2" square leg), and secure it with the provided snap pin.

If the snap pin won't go through, just spin the rubber foot down a couple turns. This will allow the snap pin to pass through without issue.



Slide the inside leg into a starter leg (1 3/4" square) and secure it with a snap pin.

Make sure there is at least 6" of overlap between the legs.



Lastly, slide the starter leg into the stage deck, and secure it by tightening the thumb screw on the underside of the deck.

You may also use a snap pin in addition to the thumb screw to ensure the legs stay in place.

Follow the steps on the next pages to determine how many legs each deck will require.



Pictured:  
 Assembled 4'x4' stage deck  
 with 4 legs and brace

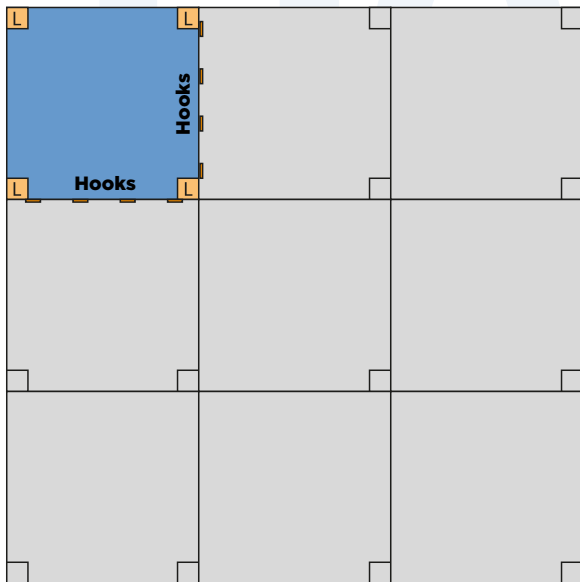
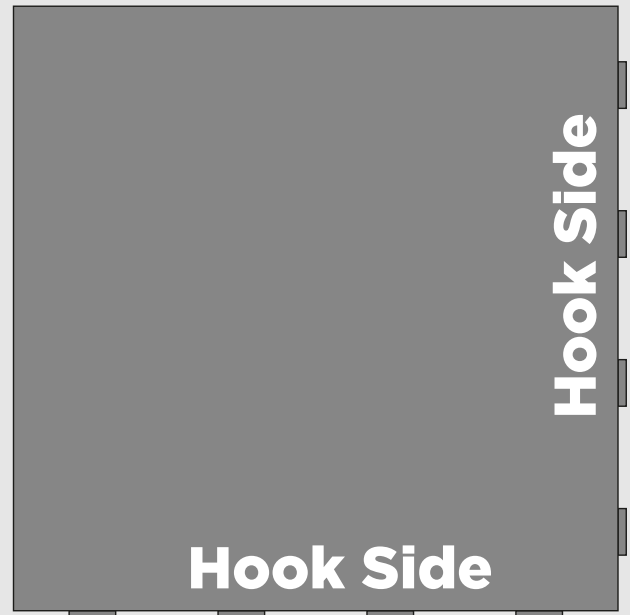
## STAGE SETUP

Steel Stages use a hanging deck system that allows you to use the adjoining decks for support, greatly reducing the number of legs required for stage setup.



Each deck features two sides with hooks and two sides without hooks.

The first deck, is referred to as your starter deck, and will be the deck that your stage is built off of. We recommend setting up this deck up in the back left hand corner of your stage, however any corner may be used as a starting point.

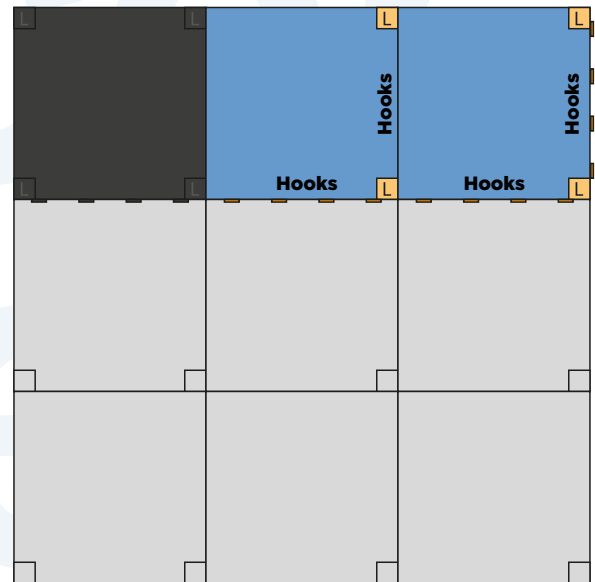


### First Row: Starter Deck

When starting your deck, the hook sides of the stage deck should face the inside of the stage. The smooth sides of the deck should be on the outer edge of your stage setup.

The first stage deck needs to have all four feet and legs installed.

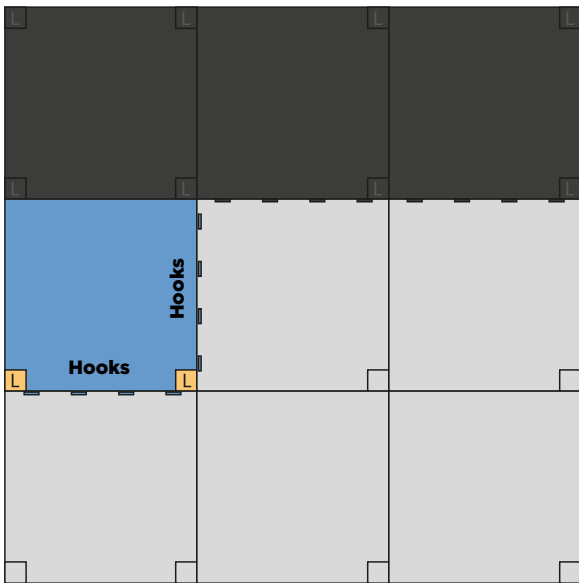
L = Leg



### First Row: Hanging Decks

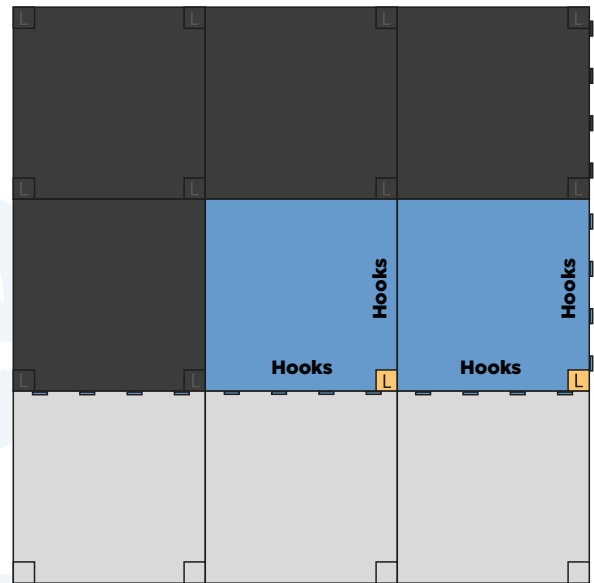
The remaining decks on the starting row of the stage will hang off the previous deck and only require two legs each.

## STAGE SETUP



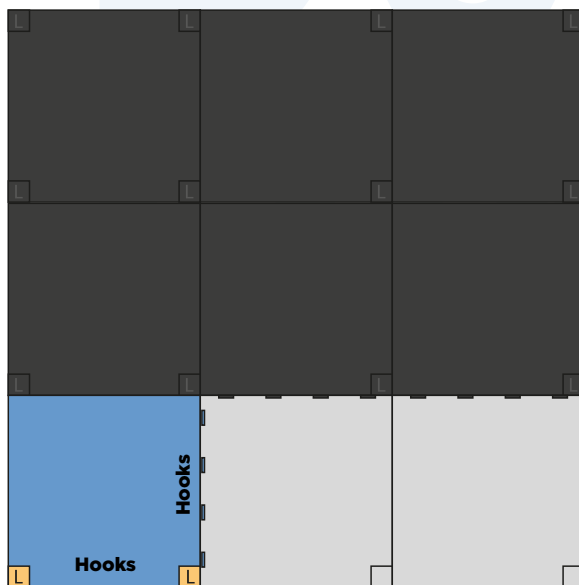
### 2nd Row: Starter Deck

The first deck in every row is also a starting edge deck and will require two legs.



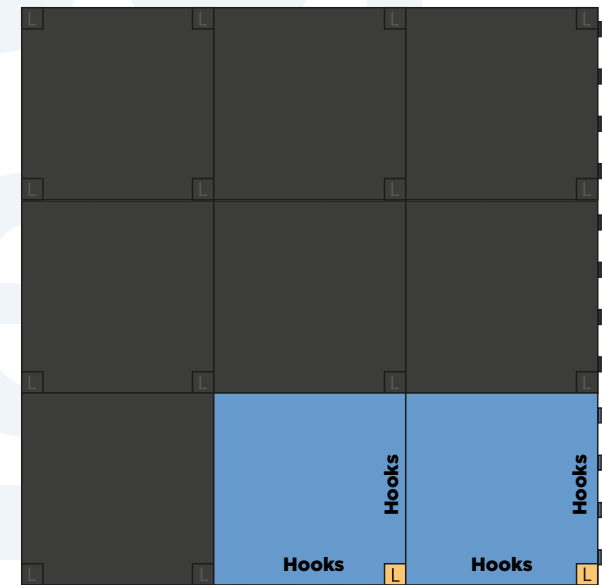
### 2nd Row: Hanging Decks

The remaining decks that follow a starting deck in the second row will hang off of two adjoining decks. These hanging decks only require one leg for support.



### Remaining Rows: Starter Deck

Just like in the second row, the first deck in every row thereafter is also a starting edge deck and will require 2 legs.



### Remaining Rows: Hanging Decks

The decks that follow a starting deck will only ever require one leg for support.

# BRACES

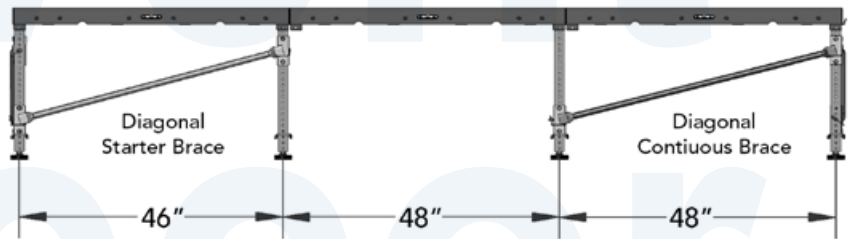


Grey starter braces are for stage legs spaced 46" apart. Black continuous braces are for stage legs spaced 48" apart.

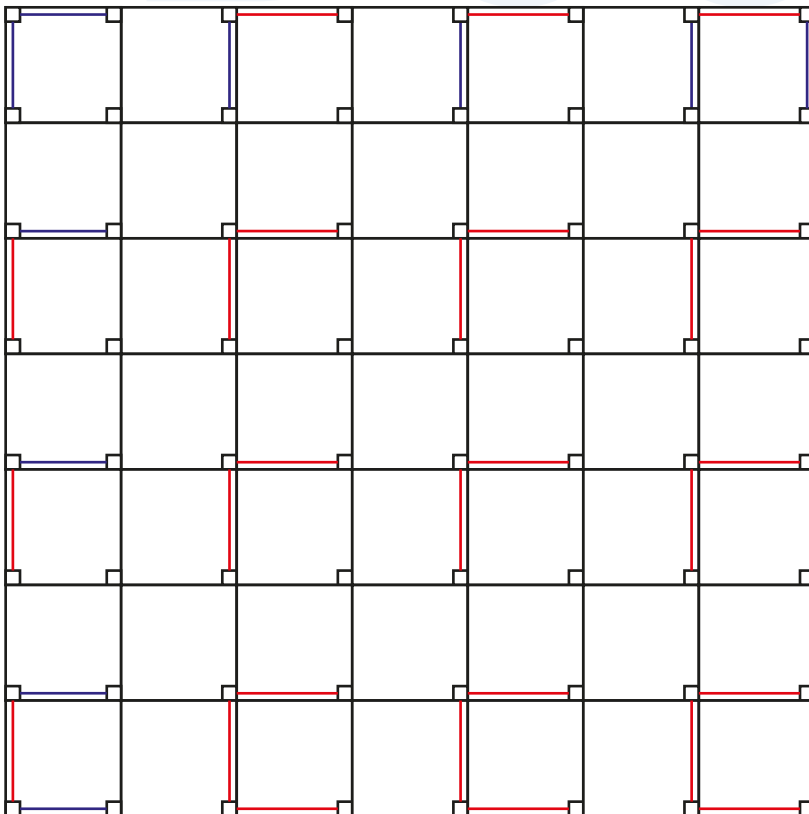
Braces are required for stages over 24". Stages over 48" need to be double braced. At least one of the braces should span the connection between 1 1/2" and the 1 3/4" telescoping sleeve.

To install our quick connect braces, slide the pegs of the brace through the holes on the stage legs, then use the included snap pin to secure in place.

Install your braces as needed as you go. Once you complete a row of stage decks, go back and brace your legs as needed.



# BRACING EXAMPLE LAYOUTS



We recommend you brace each corner and every other leg set. Internal braces should be placed within the same rows as the perimeter braces.

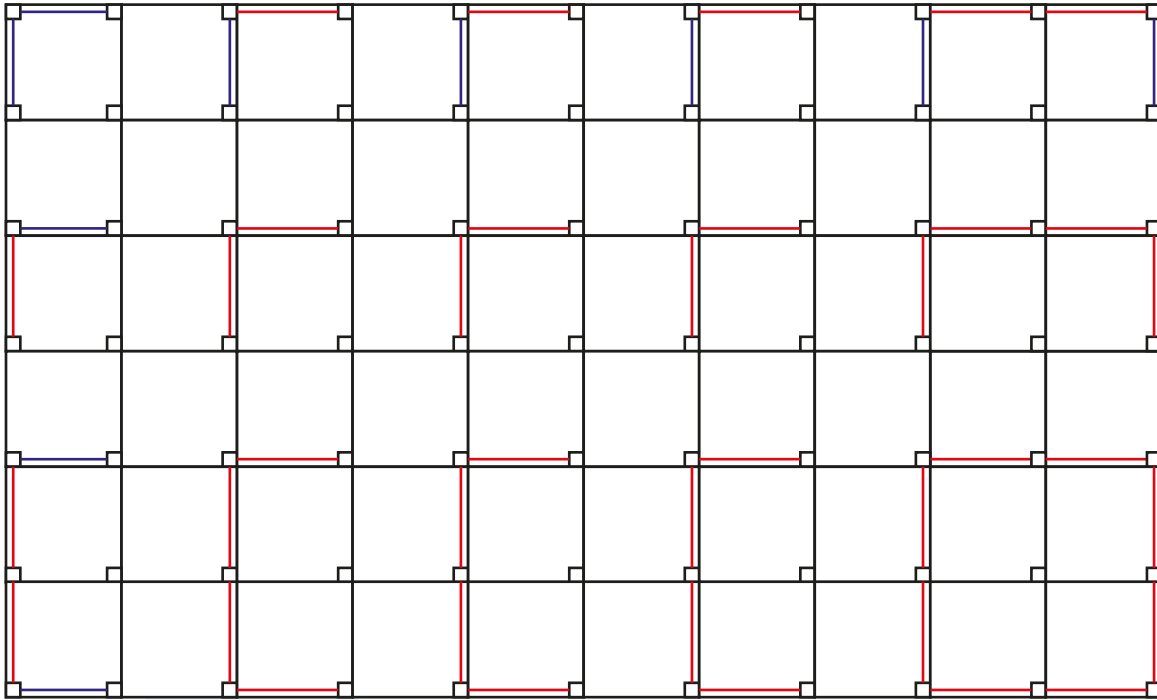
- **STARTER BRACE**
- **CONTINUOUS BRACE**

### 28 X 28 STAGE

- Starter Braces: 10
- Continuous Braces: 27



## BRACING EXAMPLE LAYOUTS



### 40 X 24 STAGE

Starter Braces: 10

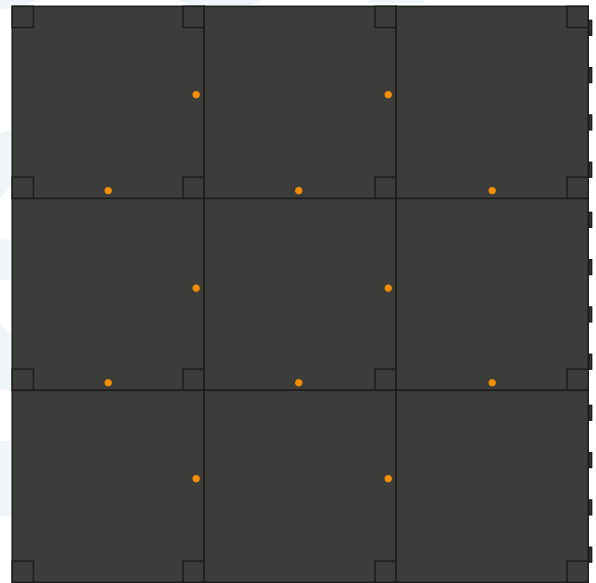
Continuous Braces: 38

## ROTO-LOCKS



For further stability and security, all of our decks are equipped with roto-locks, which secure the stage decks together and lock them in place.

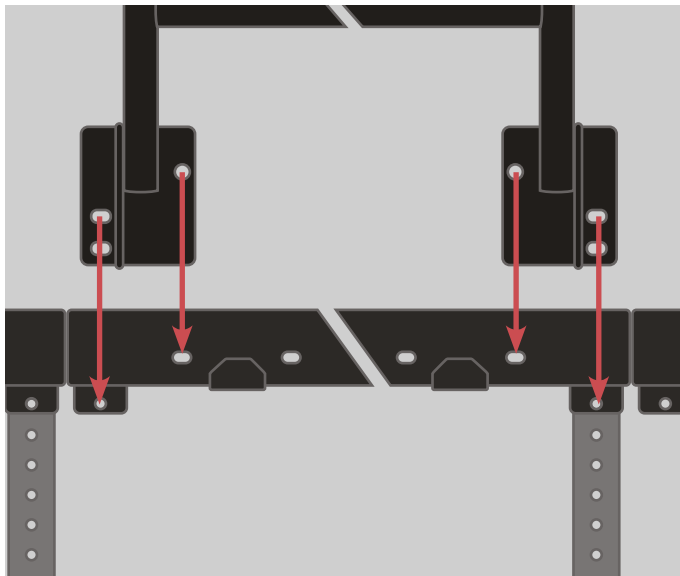
A 3/8" x 1" L bolt and lock nut can be used in place of the Roto-locks to secure decks together. Each deck will require 2 bolts.



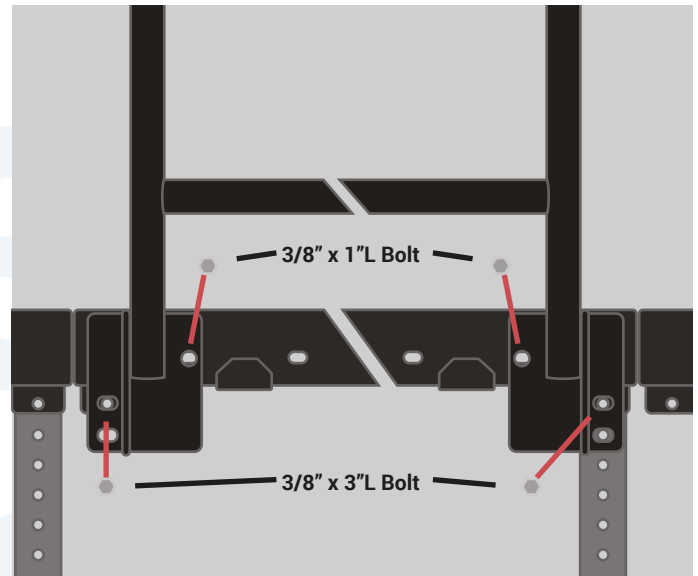
Using the 5/16" T-handle wrench (85039), engage the roto-locks by turning in a clockwise direction. Doing this will pull the stages together even tighter, adding additional stability to your stage. You can do this once your stage is finished or simultaneously as you build your stage.

## GUARDRAIL PANEL WITH BUILT IN SOCKETS

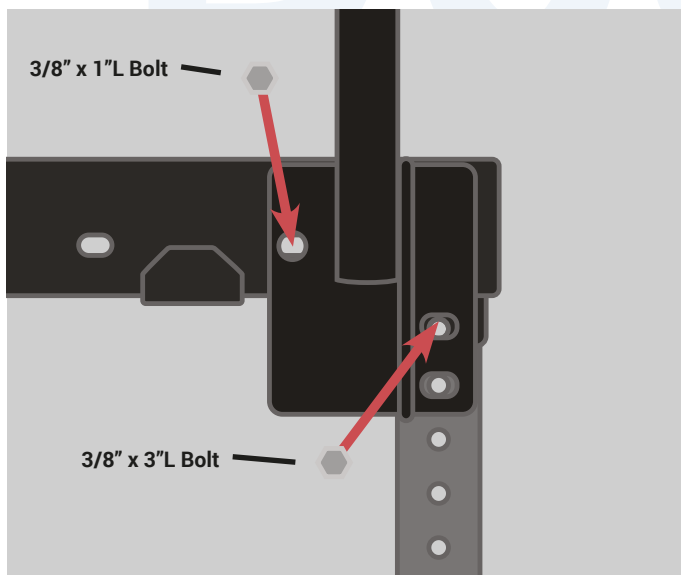
Guardrail is optional on decks below 30" in height, but required for anything 30" and above.



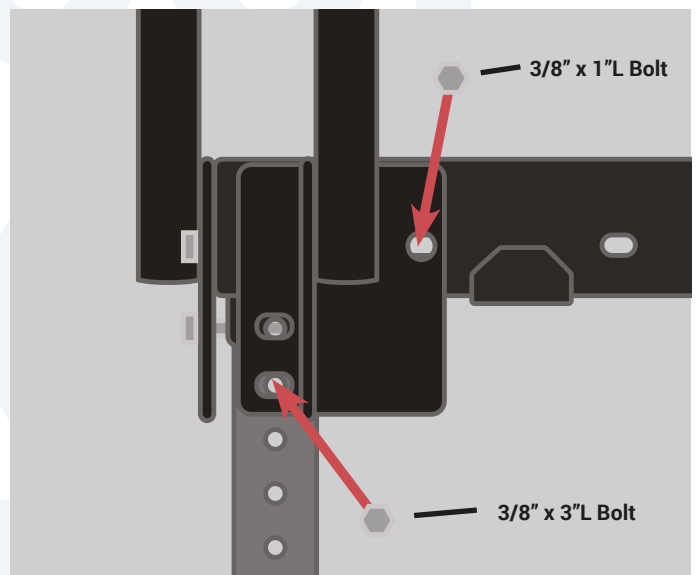
Align the guard rail with the stage deck. Note the diagram above to ensure you line the holes up correctly.



Use a 3/8" x 1" bolt for the top holes and a 3/8" x 3" bolt for the lower holes.



When working around corners, set up the first guardrail following the above layout when installing bolts. Use a 3/8" x 1" bolt for the top holes and a 3/8" x 3" bolt for the lower holes.



When you install the next guardrail around the corner, you will need to use the bottom hole to secure the guardrail to the stage leg.

## GUARDRAIL PANEL WITH BUILT IN SOCKETS



4'x4' Steel Stage Deck with  
4' Half Vertical Guardrail Panel

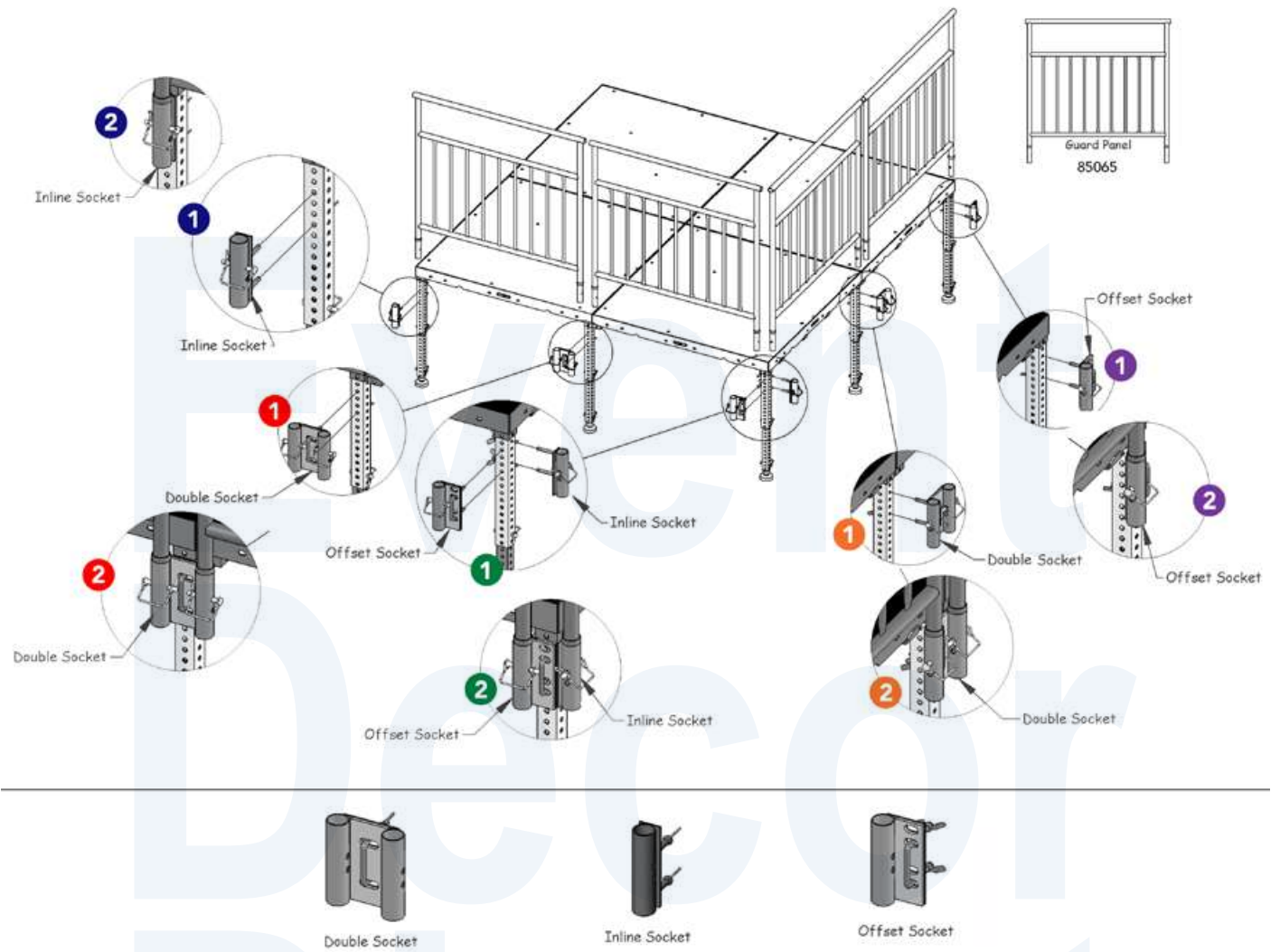


Closeup of guardrail attached to stage decks.

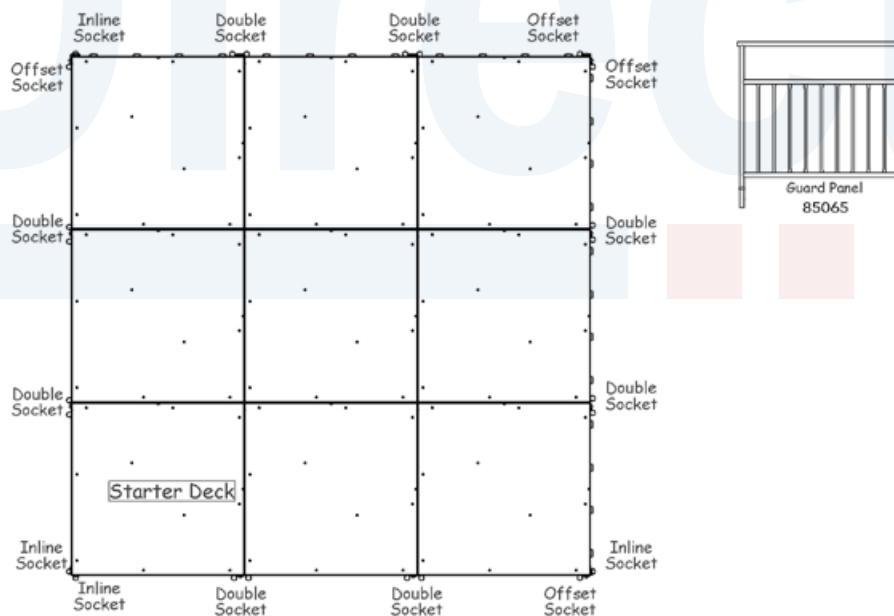


Closeup of guardrail attached to stage corner.

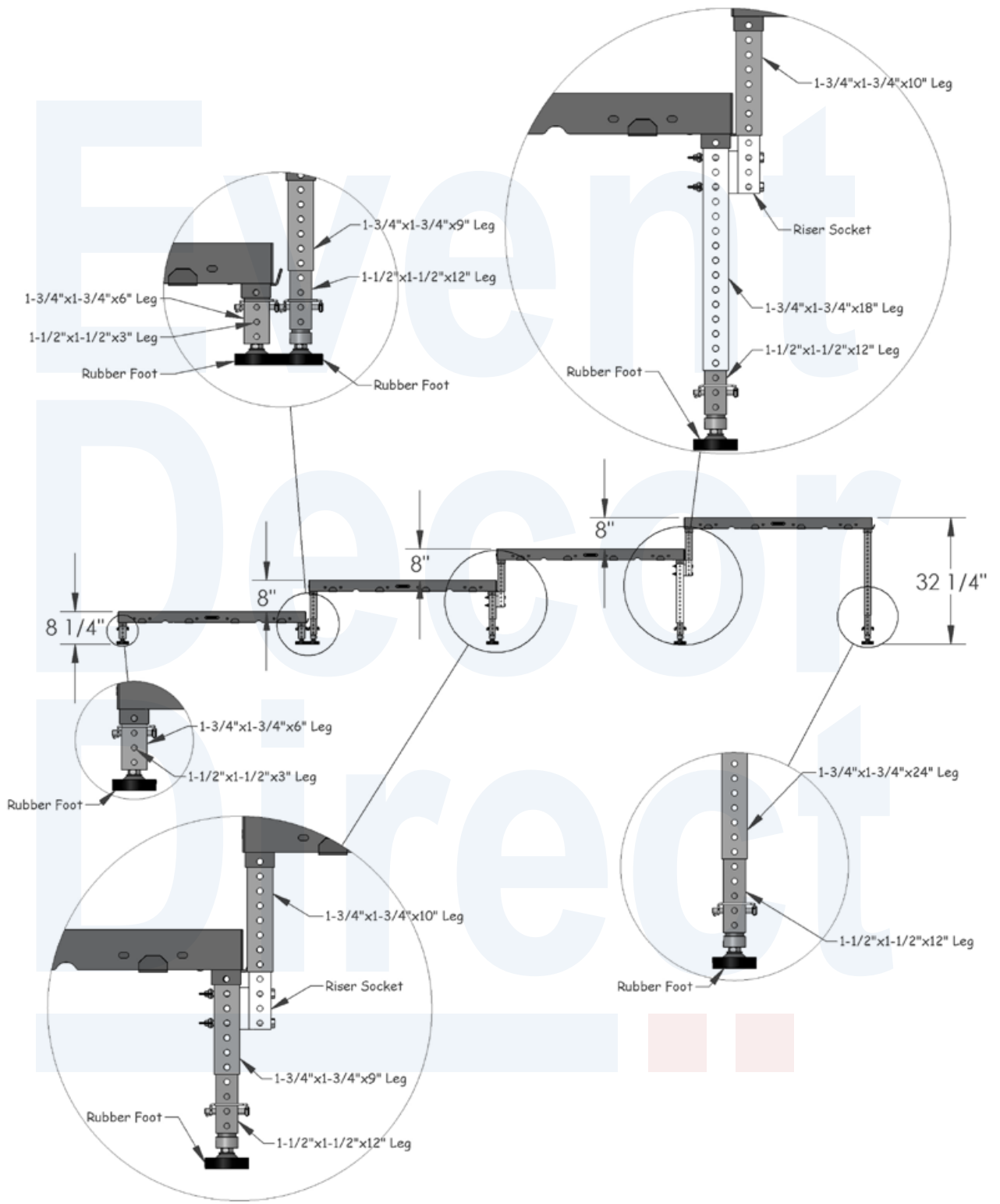
# GUARDRAIL WITH DETACHED SOCKETS



Typical guard rail socket sequence layout below.

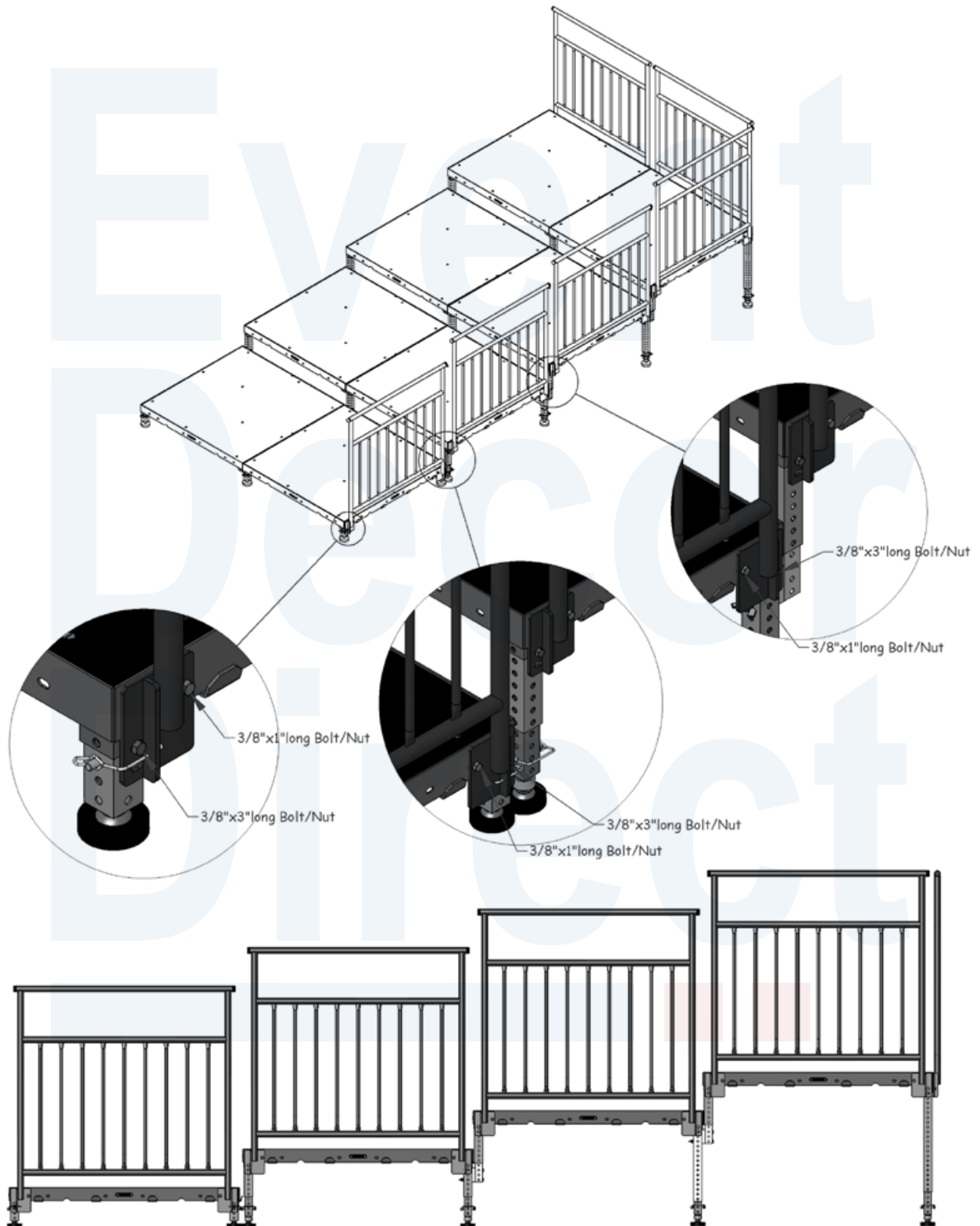


# STEP RISER (8' RISER SHOWN)

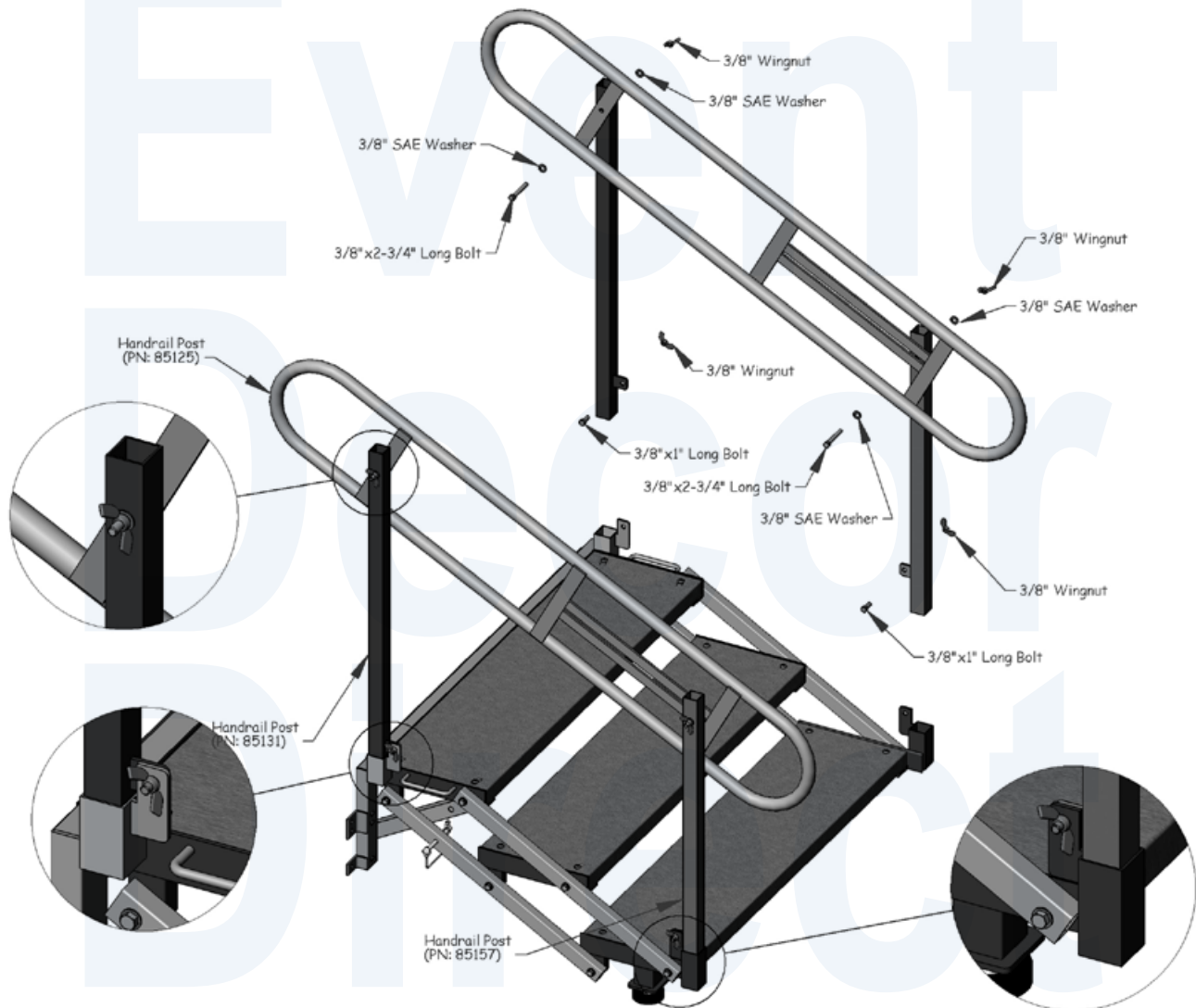


# STEP RISER GUARDRAIL

Guardrail is optional on decks below 30" in height, but required for anything 30" and above.

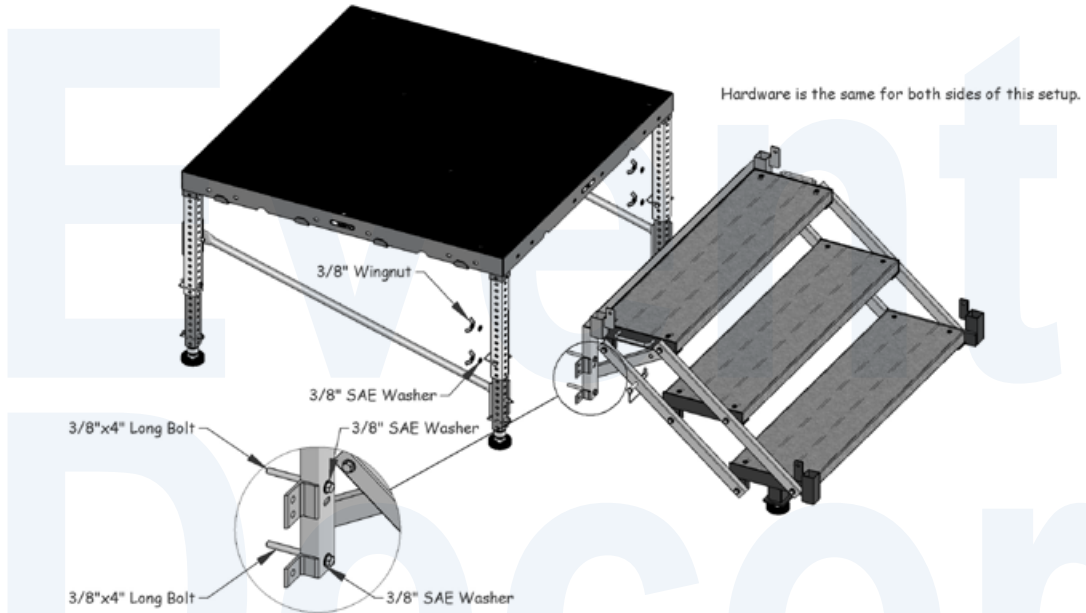


# STAIR ASSEMBLY

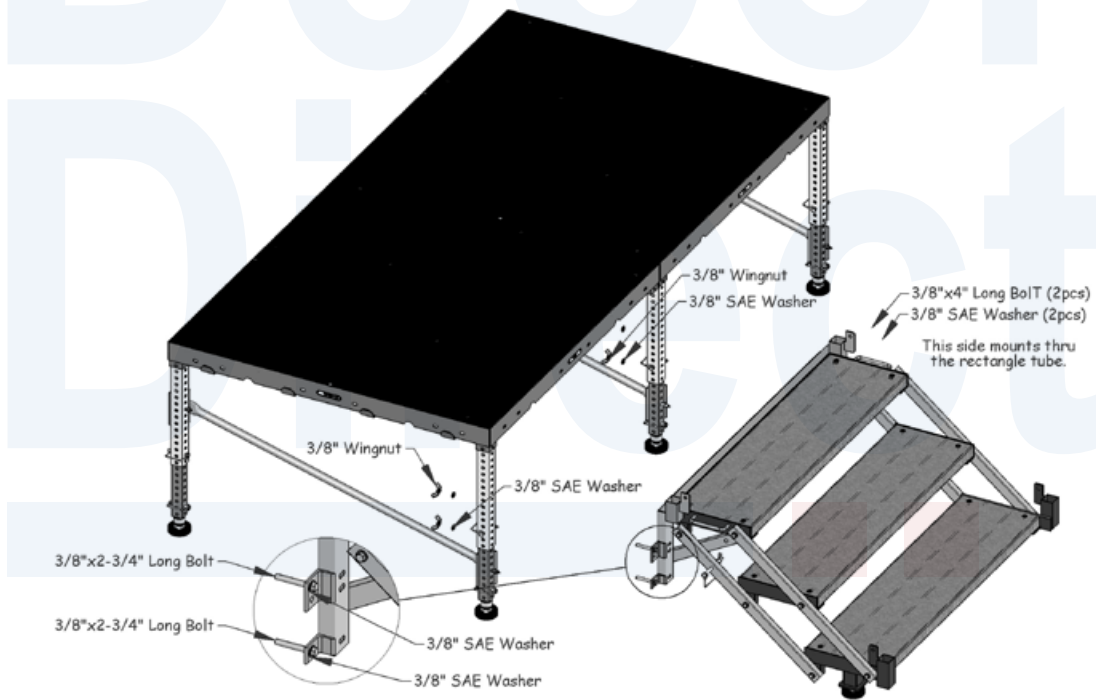


# STAIR ASSEMBLY

## STAIR ATTACHED TO 45-3/4" LEG SPACING DECK

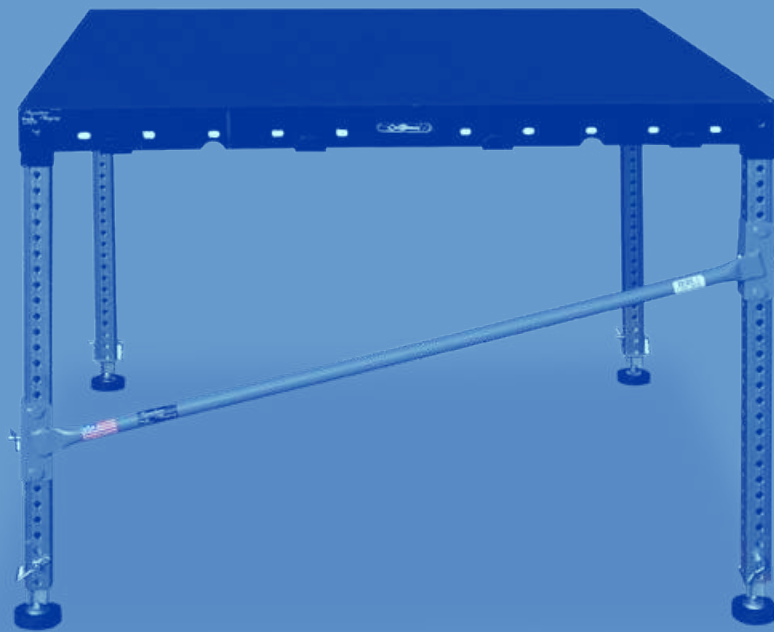


## STAIR ATTACHED TO 48" LEG SPACING DECK





# STEEL STAGE ASSEMBLY



Event **■** Decor **■** Direct

[www.eventdecordirect.com](http://www.eventdecordirect.com)